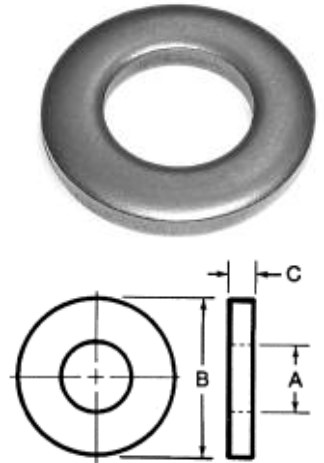


## Heavy Duty Stainless Steel Washers

- ▶ Made from 300 series stainless steel
- ▶ Extra thick for increased strength

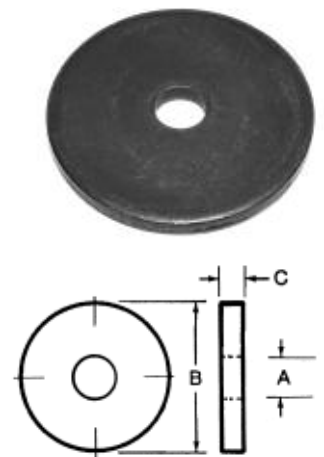
PART #	Bolt Size	A	B	C
TW-0SS	1/4	9/32	5/8	.090
TW-1SS	5/16	11/32	11/16	.090
TW-2SS	3/8	13/32	13/16	.125
TW-3SS	7/16	15/32	59/64	.125
TW-4SS	1/2	17/32	1-1/16	.180
TW-5SS	9/16	19/32	1-3/16	.180
TW-6SS	5/8	21/32	1-5/16	.187
TW-7SS	3/4	13/16	1-1/2	.187



## Large OD Flat Washers

- ▶ Available in case hardened black oxide finish steel, 304 stainless steel, and 316 stainless steel
- ▶ Large OD offers expanded bearing surface
- ▶ Also known as fender washers

CASE HARDENED STEEL					STAINLESS STEEL					
PART #	Bolt Size	A	B	C	304 PART #	316 PART #	Bolt Size	A	B	C
DW-1	#6	5/32	9/16	1/8	DW-11	DW-21	#6	.146	3/4	.050
DW-2	#8	3/16	3/4	1/8	DW-12	DW-22	#8	.187	1"	.050
DW-3	#10	13/64	1	1/8	DW-13	DW-23	#10	.218	1-1/2	.050
DW-4	1/4	9/32	1	1/8	DW-14	DW-24	1/4	.281	2-1/2	.060
DW-5	1/4	9/32	1-1/2	1/8	DW-15	DW-25	1/4	.281	3	.060
DW-6	5/16	11/32	1-1/4	1/8	DW-16	DW-26	5/16	.343	2-1/2	.060
DW-7	3/8	13/32	1-5/8	1/8	DW-17	DW-27	3/8	.406	3	.060
DW-8	1/2	17/32	2	1/8	DW-18	DW-28	1/2	.531	3	.060



## Stainless Steel Flat Washers

- ▶ Machined from 300 series stainless steel
- ▶ Nonmagnetic, corrosion resistant

PART #	A	B	C
7250	1/4	.116	1/16
7251	5/16	.144	1/16
7252	3/8	.1695	1/16
7253	7/16	.196	5/64
7254	1/2	.257	5/64
7255	5/8	.323	3/32
7256	3/4	.386	3/32

